

Adaptor CF-F / ISO-K

INFICON CF quality fittings are manufactured according to ISO 3669 and the latest TS/ ISO 3669-2 standard. INFICON Ultra high vacuum fittings are designed for applications down to 1×10^{-12} mbar and bakeout temperatures up to 400°C.

BENEFITS

- World wide logistics
- Design and measures follow strictly international respected standards
- Surface finish, welds, material specifications and cleanliness meet or exceed high requirements
- 2011/65/EU RoHS compliant



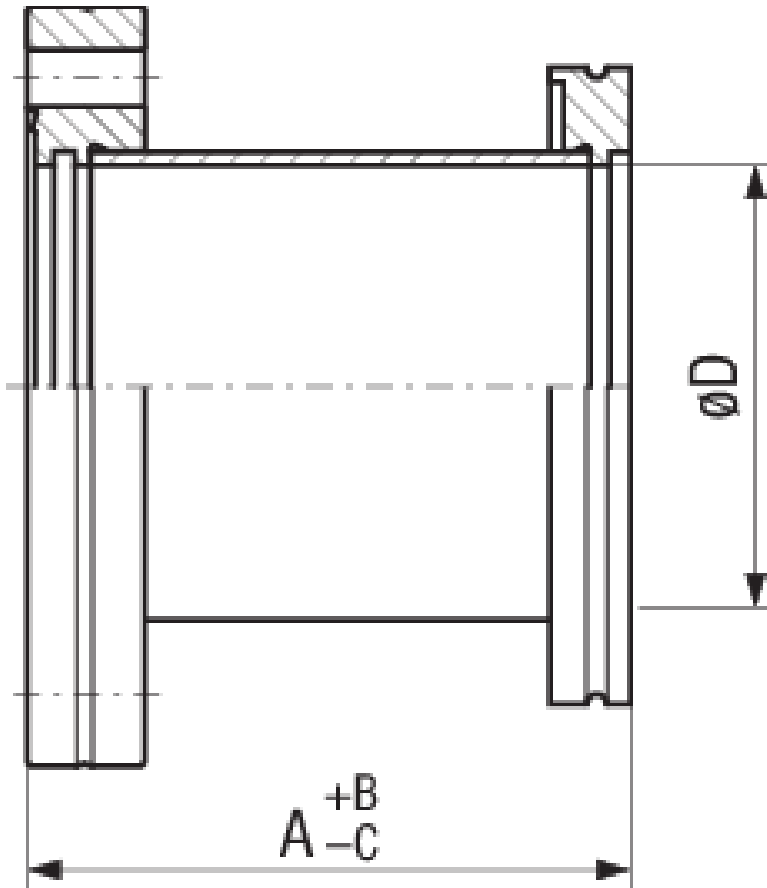
ORDER INFORMATION

Type	DN 63 ISO-K / DN 63 CF	DN 100 ISO-K / DN 100 CF	DN 160 ISO-K / DN 160 CF
Transition piece, inox, DN 100 CF/ISO-K		213-272	
Transition piece, inox, DN 160 CF/ISO-K			213-273
Transition piece, inox, DN 63 CF/ ISO-K	213-271		

SPECIFICATIONS

Type	DN 63 ISO-K / DN 63 CF	DN 100 ISO-K / DN 100 CF	DN 160 ISO-K / DN 160 CF
Dimension A	90	90	90
Dimension B	1	1	1.5
Dimension C	1	1	1.5
Material:	Stainless steel 304L / 1.4306	Stainless steel 304L / 1.4306	Stainless steel 304L / 1.4306

DIMENSIONS



www.inficon.com reachus@inficon.com

Due to our continuing program of product improvements, specifications are subject to change without notice. RateWatcher is a trademark of INFICON. All other trademarks are the property of their respective owners.

(2018-08) © 2018 INFICON